

Titan Basic Controller Module (for RCP)

This assembly consists of a Titan Controller Board connected to a Controller Backplane and a relay control panel (RCP) mounting plate for Argus enclosures. Basic controller assemblies are used in multi-controller Titan applications where the controllers are installed in panels with other control equipment.



www.arguscontrols.com

Applications

Titan controllers are specially designed processor units for data acquisition and automated control of bio-production environments including greenhouses, conservatories, nurseries growth chambers and recirculating aquaculture systems.

Custom applications are configured for sustaining complex life support environments including the management of air, soil, nutrient, and aquatic conditions.



Alternatives

An **Access Point** controller configuration (Argus part number **TC-AP-2.0/C**) is always the first controller used on the system. Networked basic controllers are also available as complete assemblies in separate enclosures (Argus part number **TC-BC-2.0/C**).

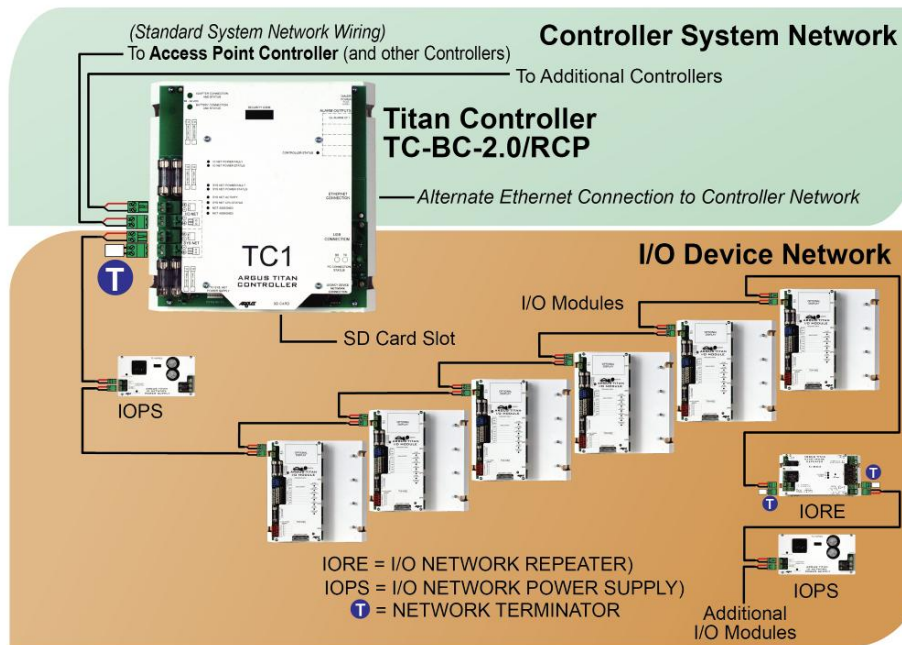
Features

High Capacity	Each controller can manage dozens of independent control processes and a large number of connected I/O devices.
Ethernet Port	Controllers can be connected using standard Argus network wiring or CAT5 Ethernet. Mixed Argus System Network/Ethernet environments are supported to accommodate more flexible wiring topologies. Wired and wireless Domain Bridging can be configured for connecting controllers and groups of controllers in situations where physical or logistical impediments prevent the use standard Argus network wiring. In such cases, new or existing Ethernet pathways can be substituted. The Ethernet port also provides a high-speed connection from the Access Point controller to the Argus Server PC.
SD Card Slot	A removable high capacity SD card slot (4-32 GB) with an included 4 GB SD card is provided for additional on-board buffering of recorded data. This helps prevent loss of recorded data during network interruptions and whenever the Argus Server PC is off-line. Plug-in memory also enables easy firmware updates and board replacements.
Flash Memory	Controllers can receive firmware revisions or updates from any local or remote operator workstation.
Fully Programmable	An extensive depth of control settings and options is provided.
Distributable	Controllers can be distributed throughout the operation for ease of peripheral wiring.
Diagnostics	Continuous self-diagnostics, communication diagnosis, and monitoring of all slaved components for maximum safety and reliability.
Easy Installation	No-wire 'Plug & Run' module replacement courtesy of the included backplane that accommodates all external connections.
Independent operation	Peer-to-peer communications between controllers ensures independent operation.
Backwards compatible	Earlier Argus control system hardware is supported via a legacy communications port.
LED Status Indicators	Used to indicate proper wiring and network operation

Technical Specifications

Dimensions	8.5" x 8.5" x 1" (length x width x height)
Power Consumption	3.75 Watts @ 24VDC (via Titan I/O Power Supply)
Data Storage Memory Backup Power	Lithium battery will hold up memory for approximately 2 years without power (settings are automatically reloaded on power-up)
Program Execution	All programs are executed once each second
Maximum linked controllers per system	64 (more if domain bridging is used)
Program Capacity	Up to 255
Program Storage Memory	4 MB (Flash) + 1 MB (Fast RAM)
Data Storage Memory	1 MB (RAM)
Removable Memory	SD Card Slot (a 4 GB SD card is included)
Power and Data Connections	All connections except Ethernet are provided via the included backplane
Controller System Network and I/O Device Network Wiring	Argus part number CAB- 2C18G/TITAN (West Penn Wire - AQ224): a 2-conductor 18AWG UV and moisture resistant cable suitable for indoor/outdoor use and is direct burial and wire tray-rated. NO SUBSTITUTIONS – USE OF THIS EXACT WIRE IS CRITICAL FOR PROPER NETWORK COMMUNICATION. Note: Controllers can also be connected via CAT5 Ethernet pathways. The I/O Device Network must use the Aquaseal AQ224 Cable.

Connection Details



Example Configuration - for installation, always refer to the custom wiring diagrams supplied with each system.

Additional Information

For more information, please contact Argus.



www.arguscontrols.com

PHONE: 604-538-3531 or 1-888-667-2091 (Canada and the US) ■ FAX: 604-538-4728 ■ EMAIL: argus@arguscontrols.com